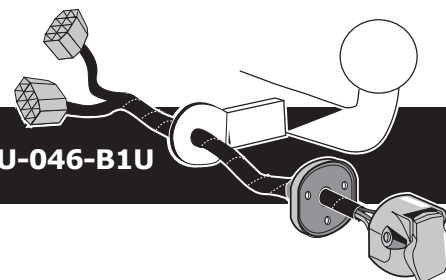


Audi A3 3D 2013 - 05/2014
Audi A3 Sportback 2013 - 05/2014
Audi A3 Limo 2014 - 05/2014

Only for models without towbar prepared connector

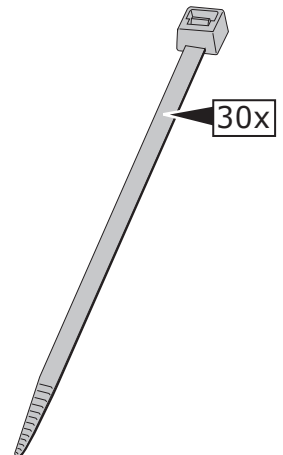
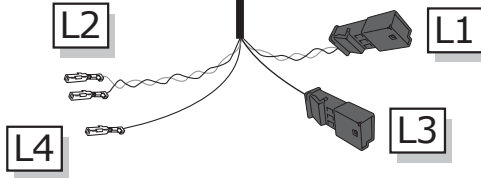
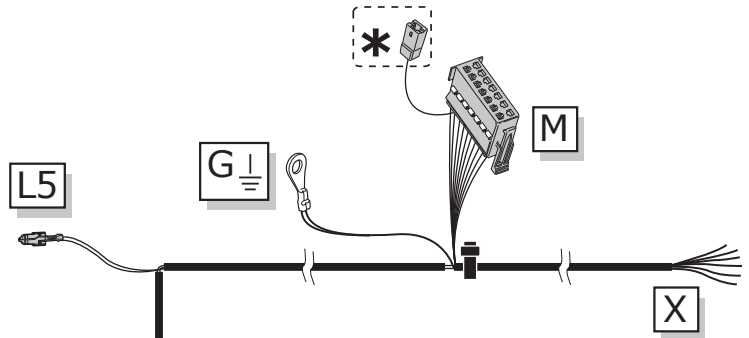
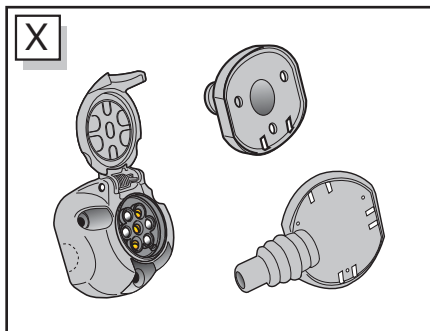
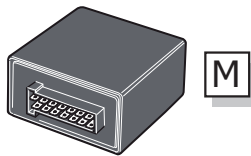
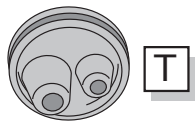
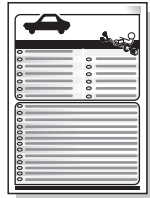
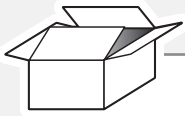
Partnr.: AU-046-B1U



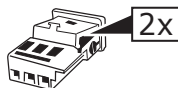
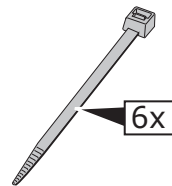
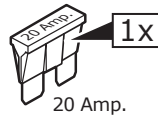
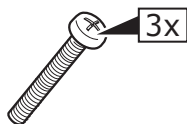
- Fitting instructions electric wiring kit tow bar with 12-N socket up to DIN/ISO Norm 1724.
- We would expressly point out that assembly not carried out properly by a competent installer will result in cancellation of any right to damage compensation, in particular those arising by virtue of the product liability act.
- Contents of these kits and their fitting manuals are subject to alteration without notice, please ensure that these instructions are read and fully understood before commencing installation.
- Do not overload circuits; the maximum loads per connection are detailed in this manual.
- Attention! Before Installation, please read this manual carefully and inform your customer to consult the vehicle owners manual to check for any vehicle modifications required before towing.
- In the event of functional problems, troubleshooting must be limited to about 0.5 hours, contact the technical support:
ukts@ecs-electronics.com / 07440 202 052.



Part list



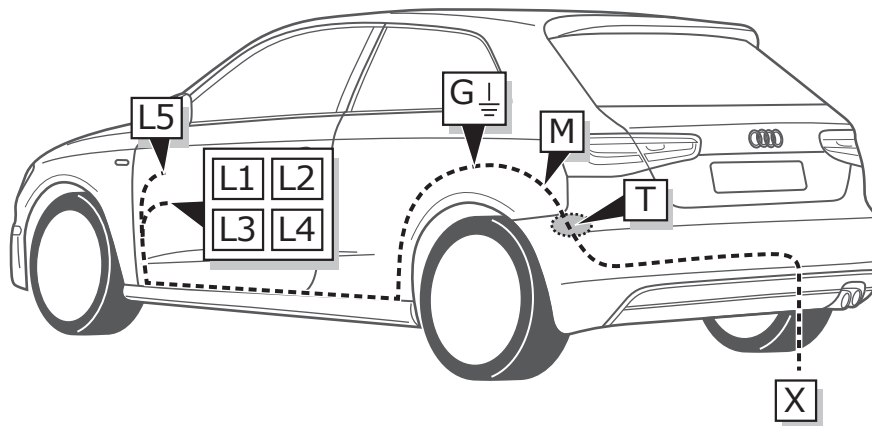
* Reverse signal preparation
 **Pag. 15**



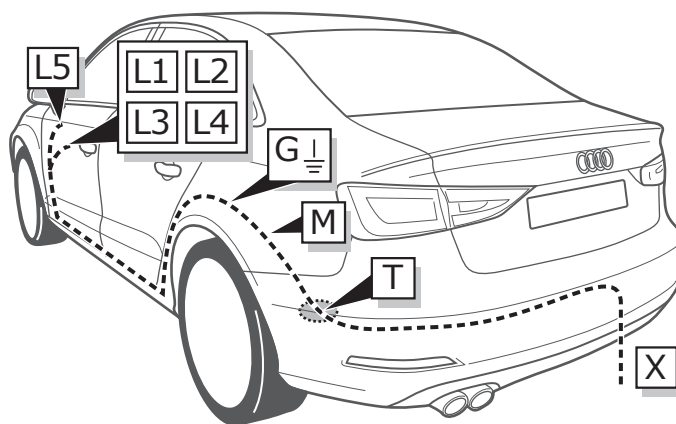
ROUTING

A3 3D

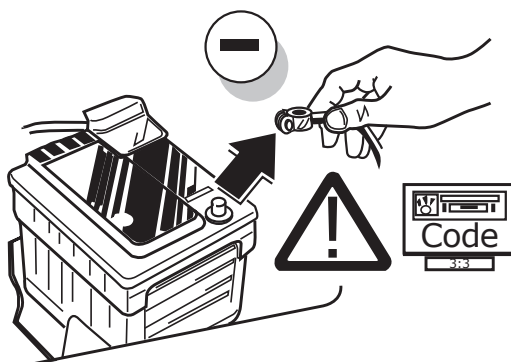
A3 Sportback



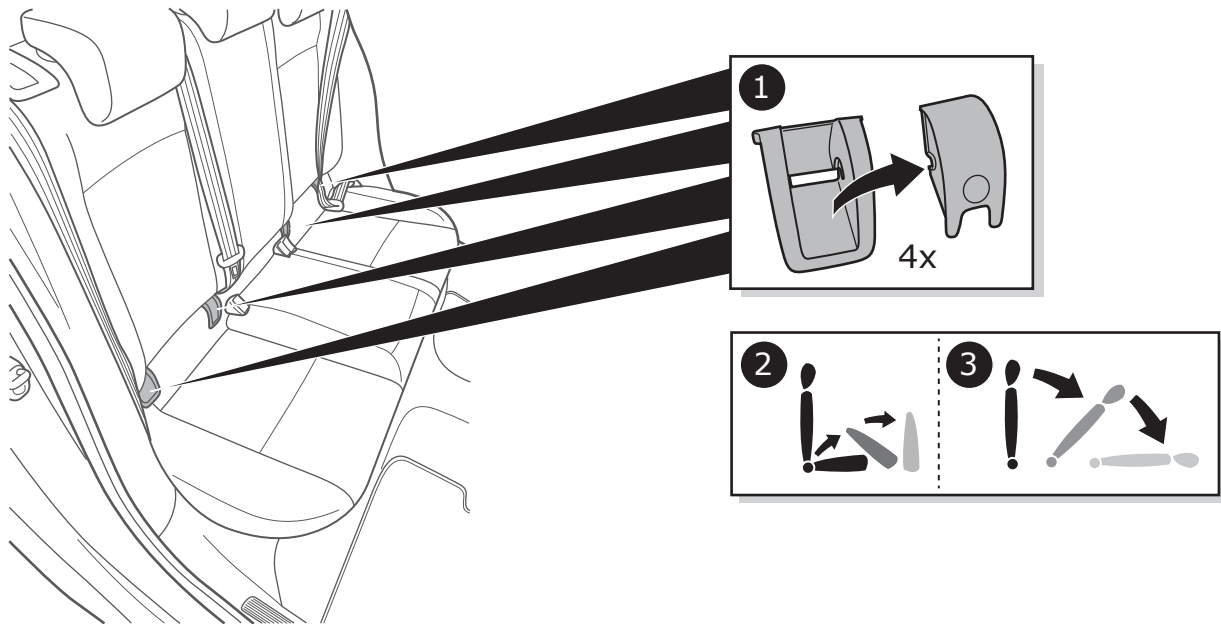
A3 Limo



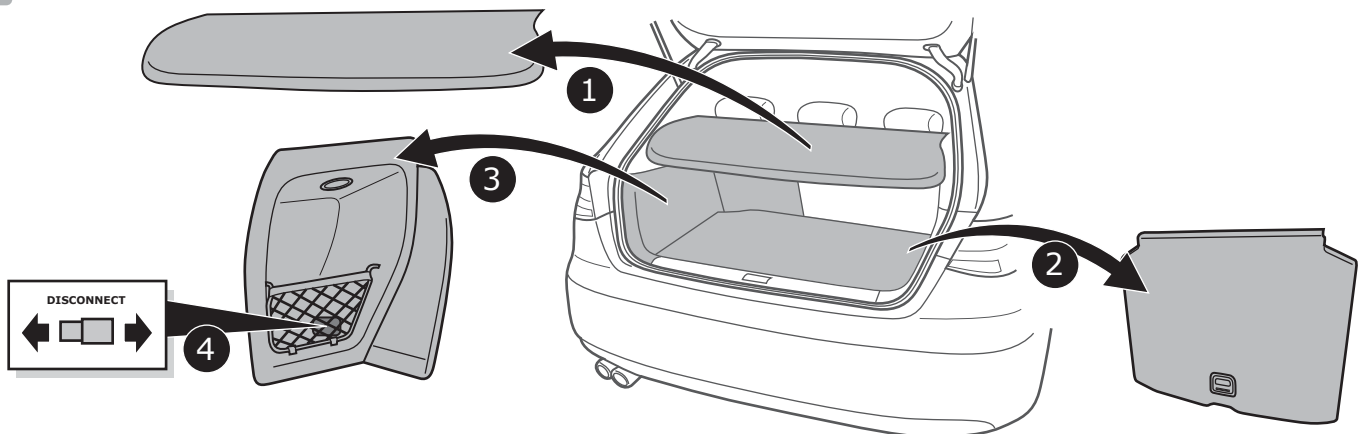
1



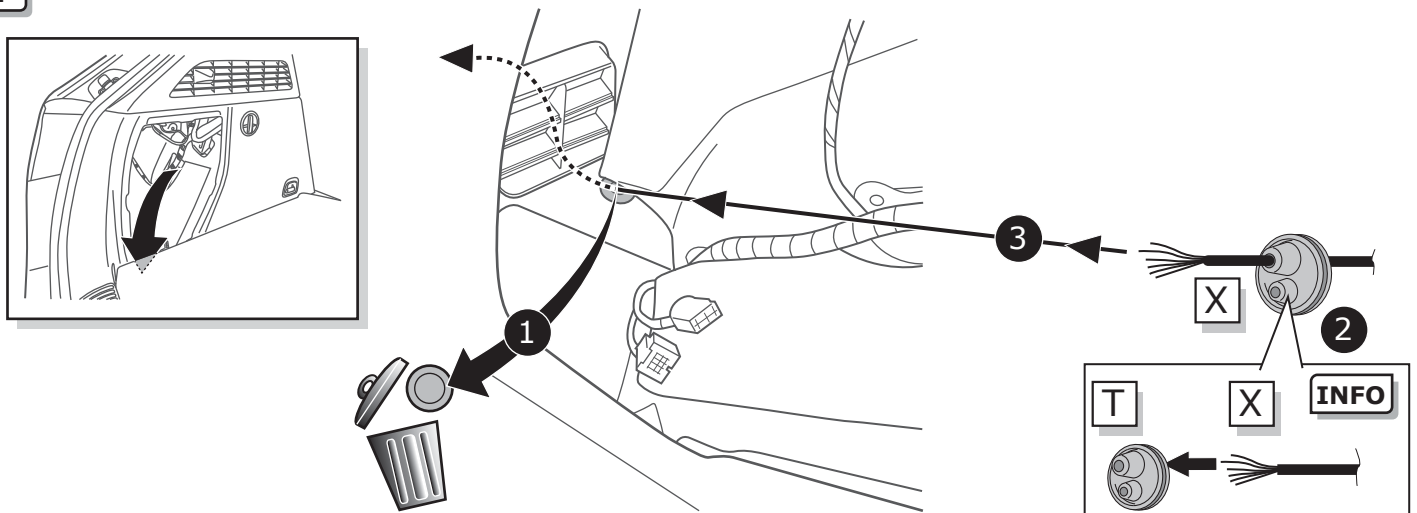
2



3

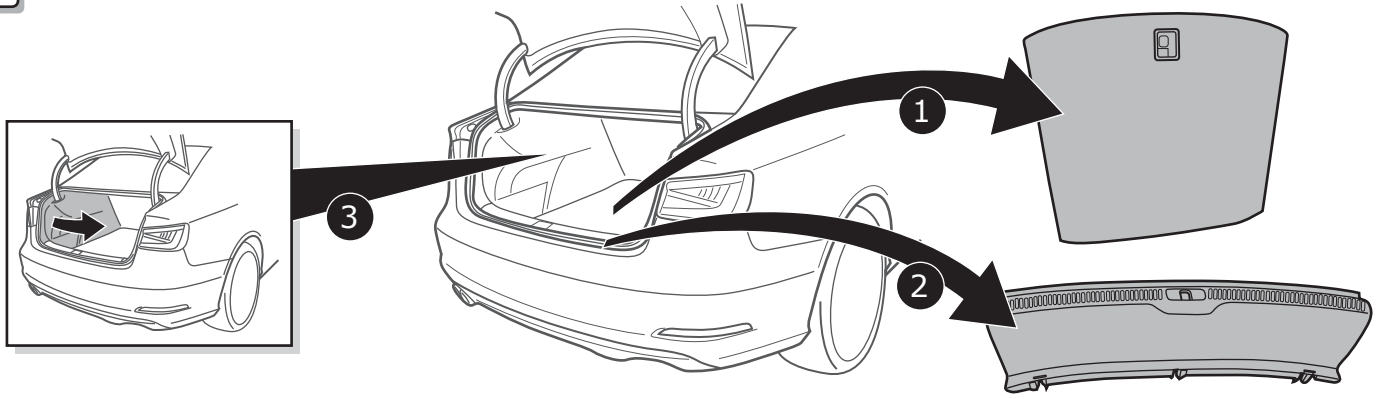


4

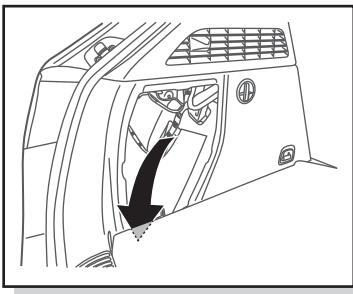


A3 Limo

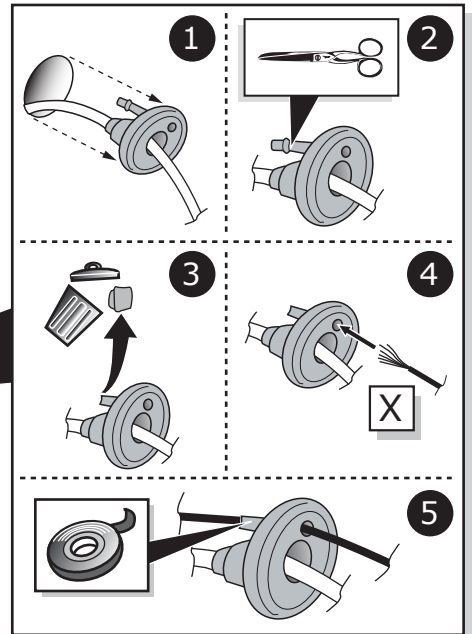
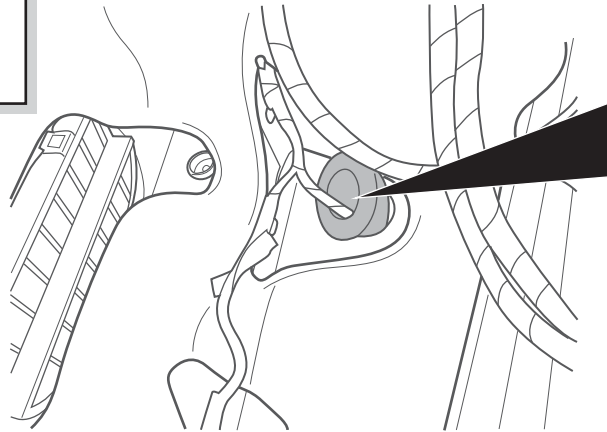
5



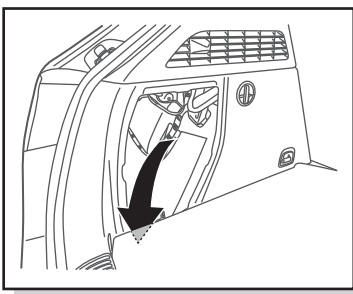
6



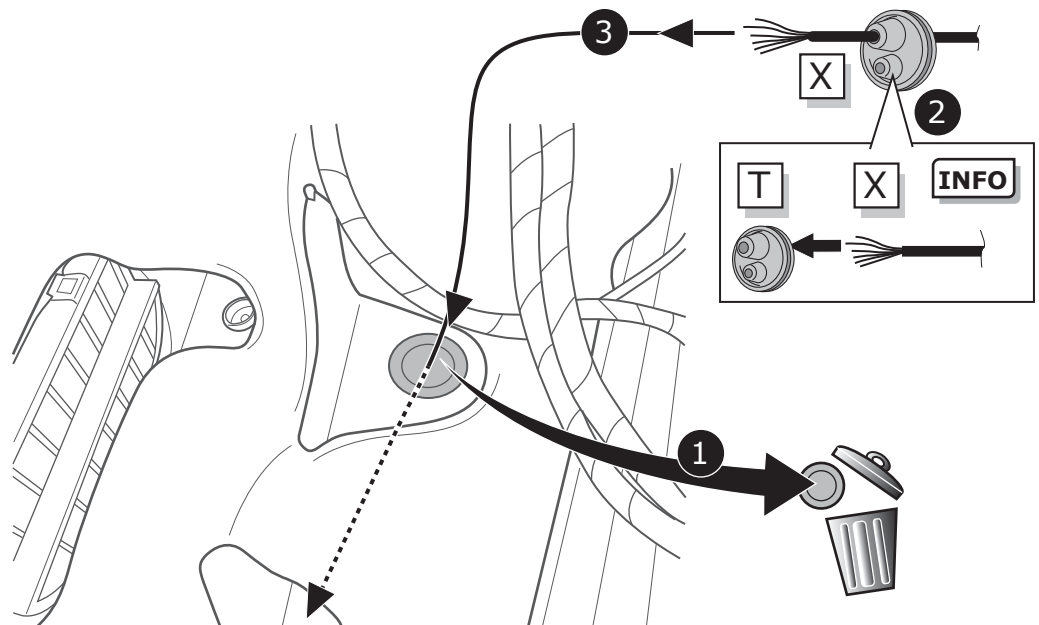
Option 1

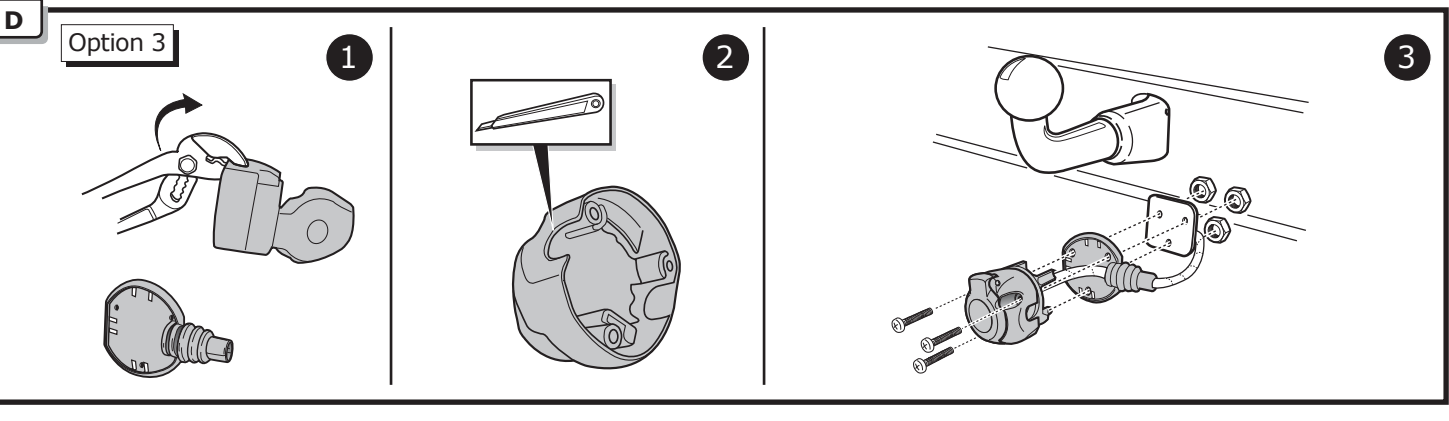
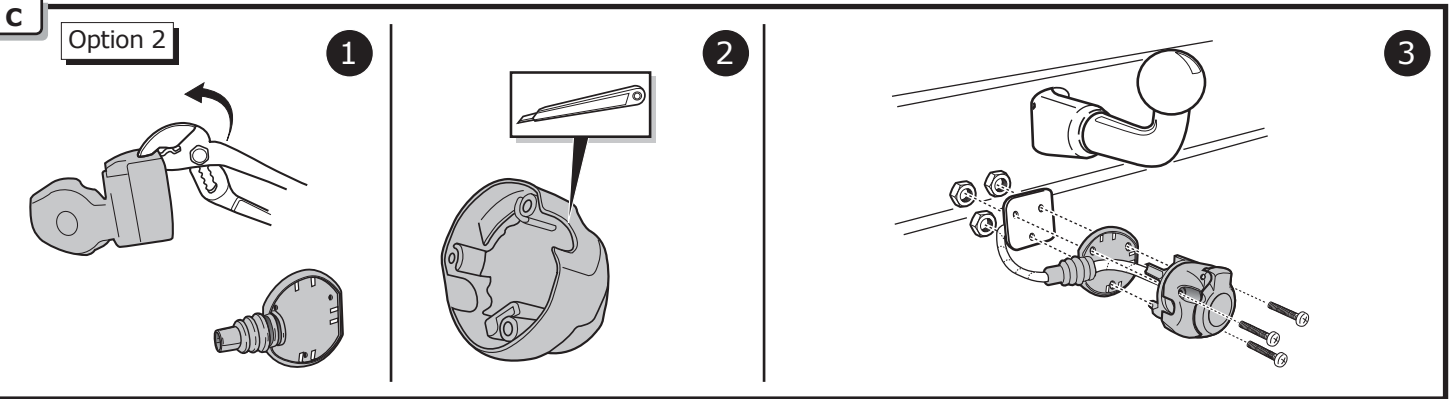
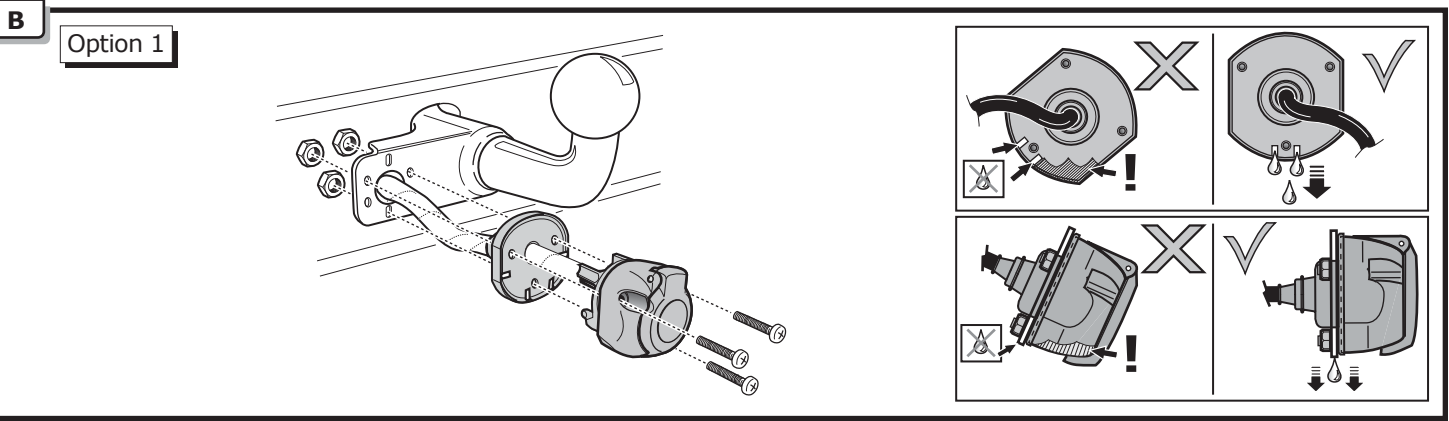
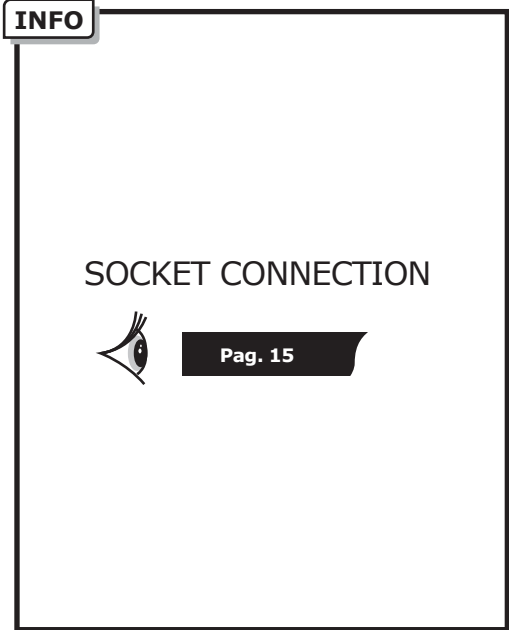
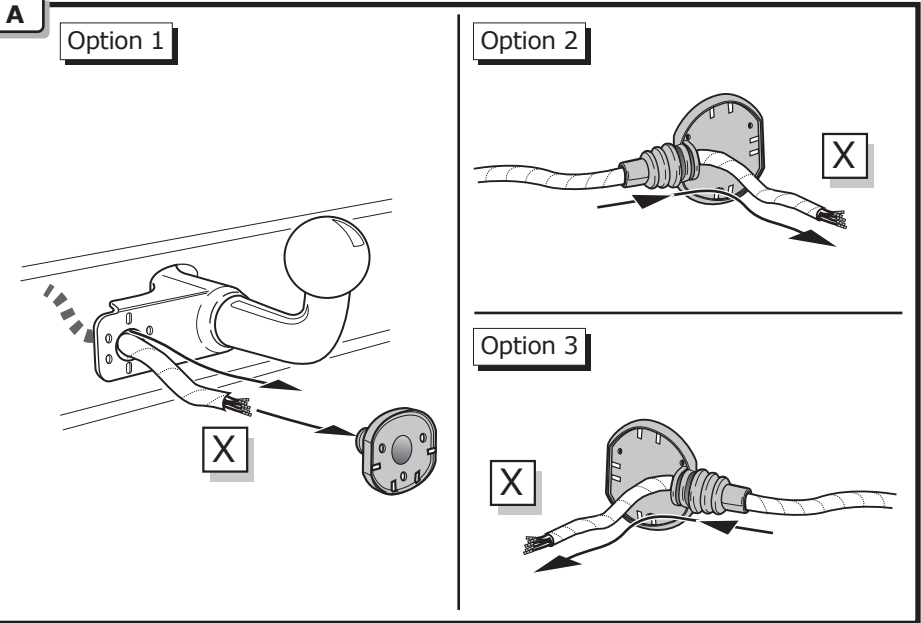


7

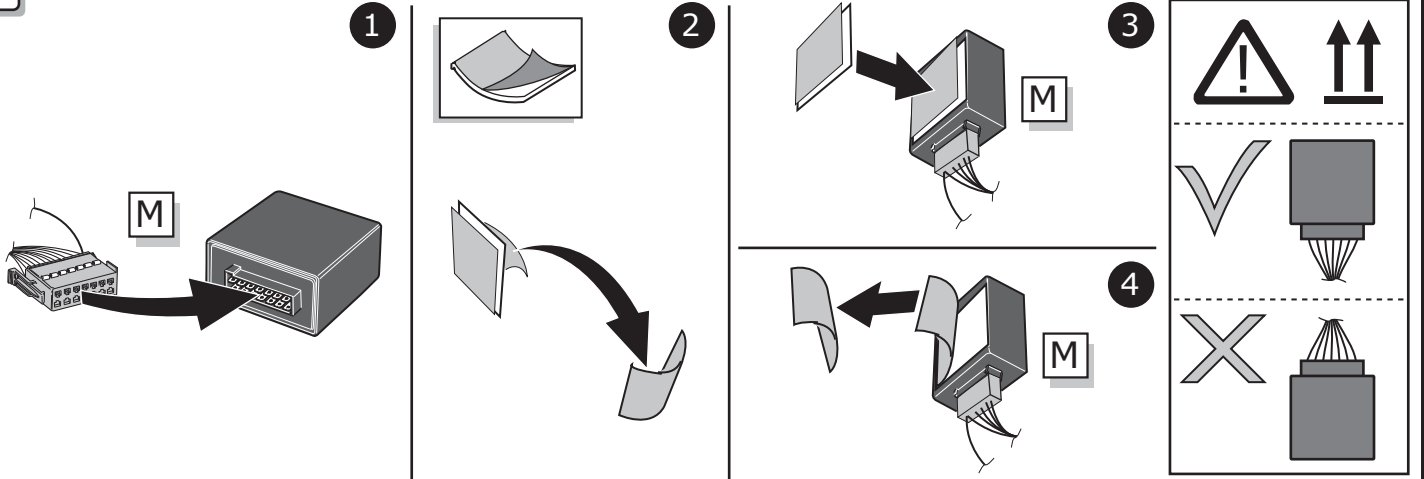


Option 2

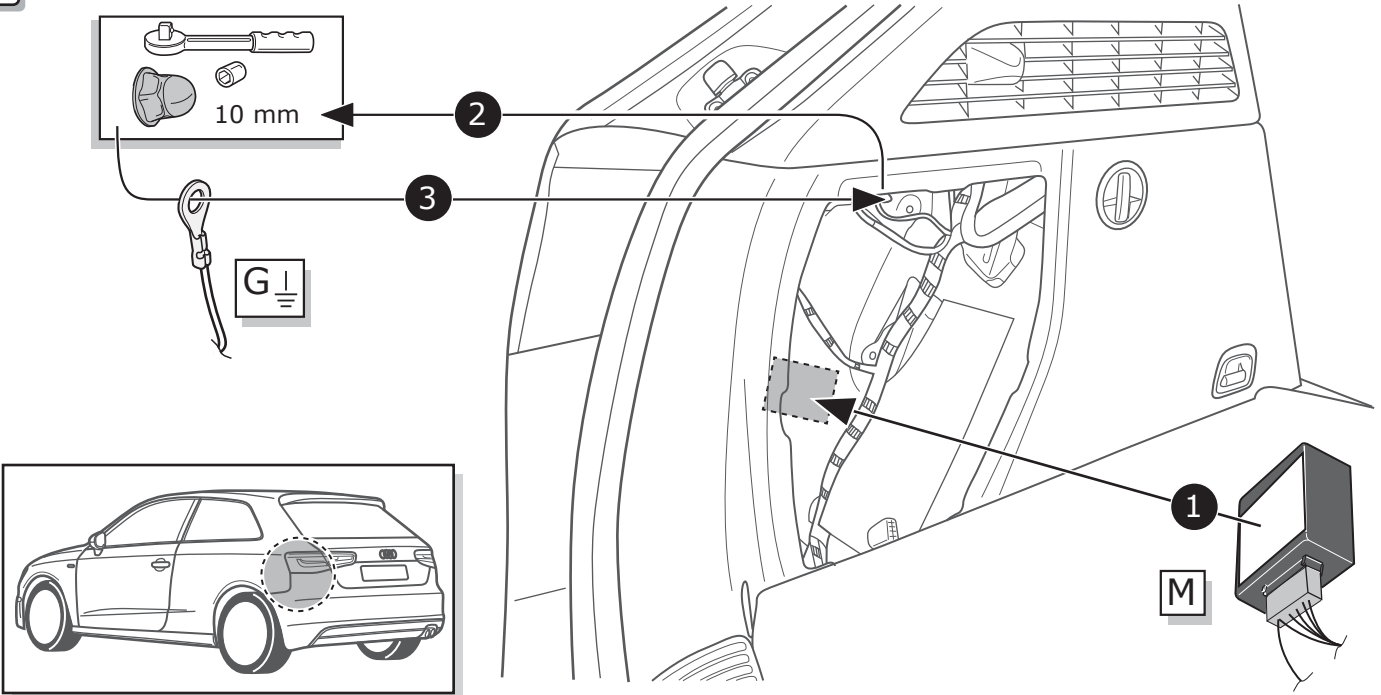




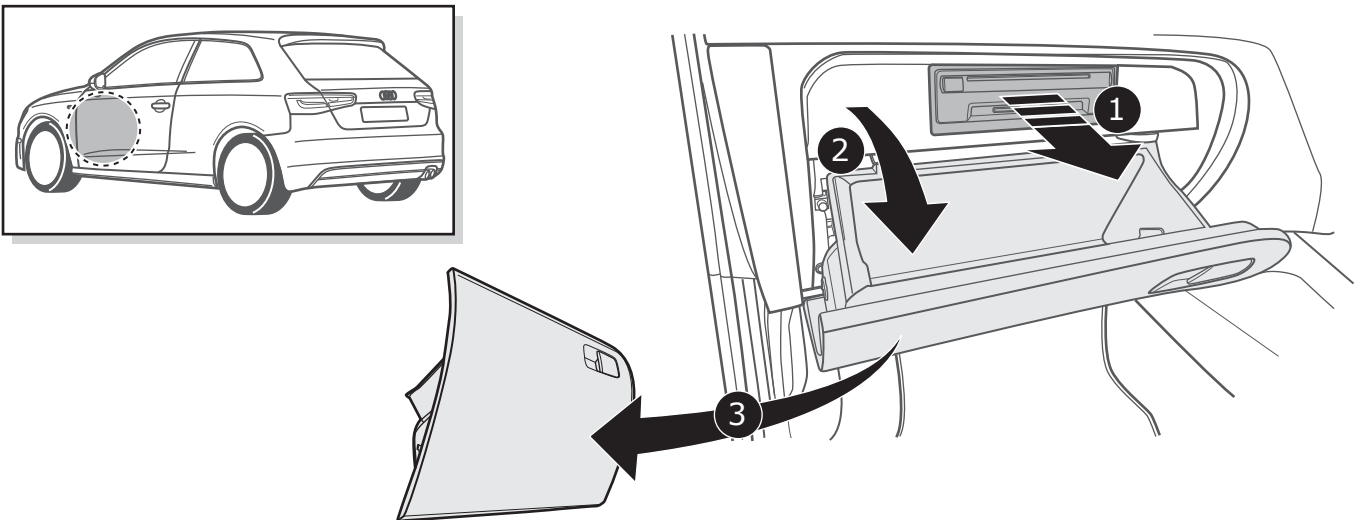
8



9

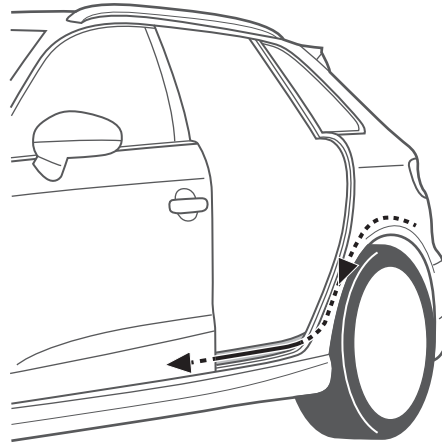


10

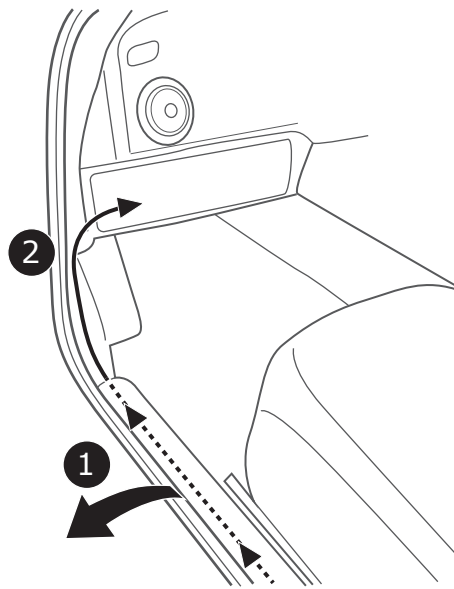


A3 Sportback

11

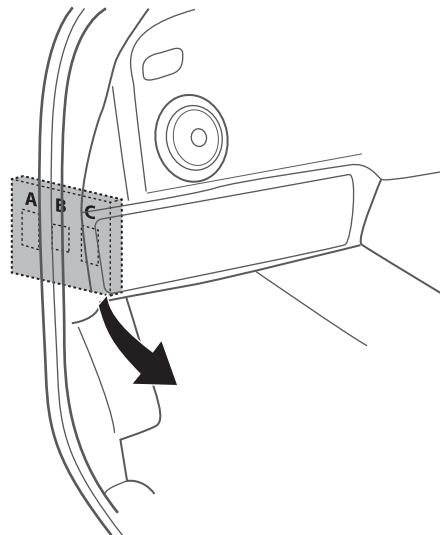
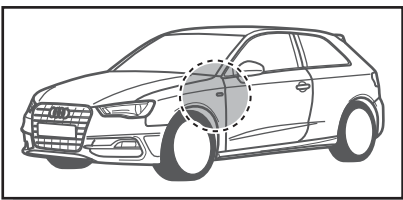


12

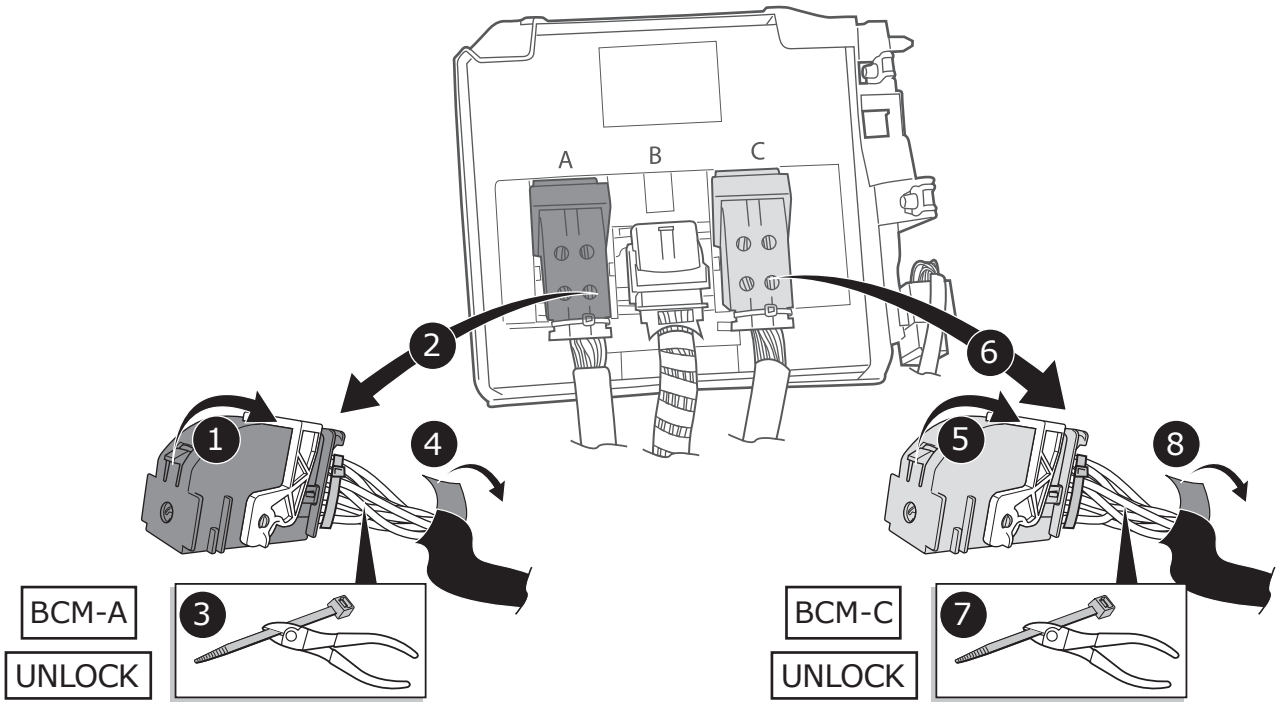


A3 3D / Sportback / Limo

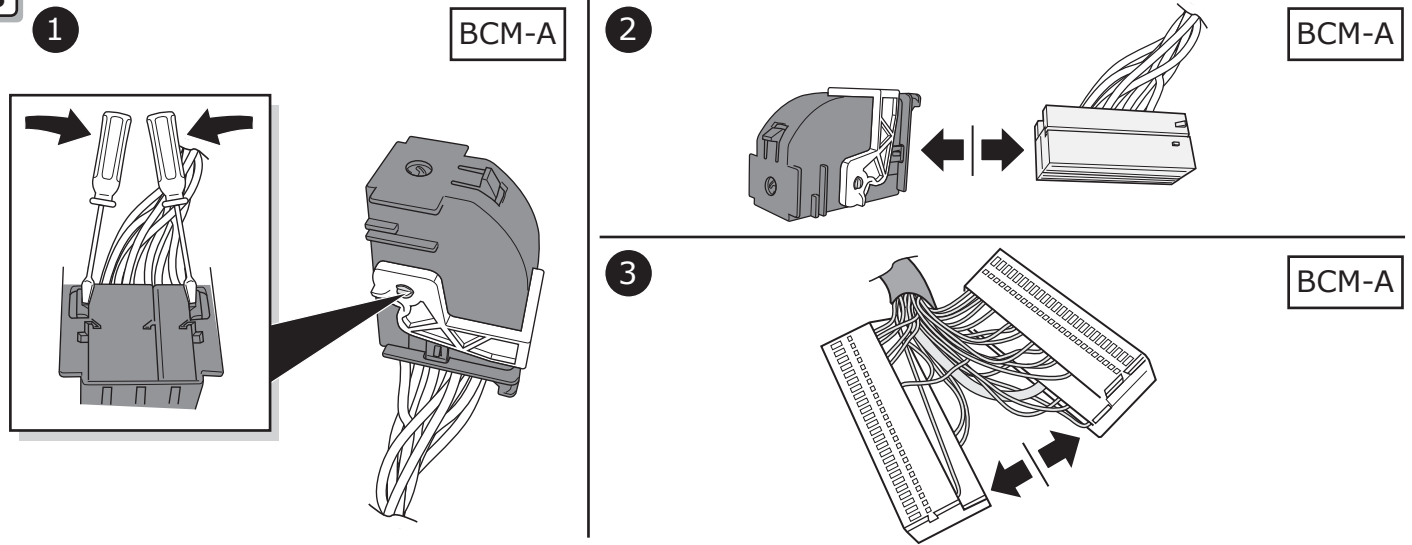
13



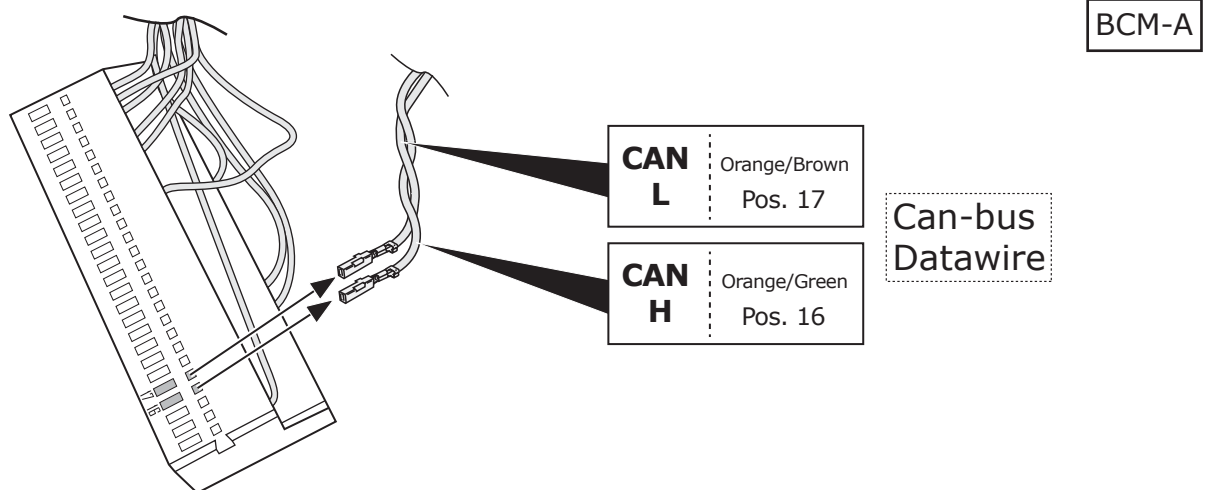
14



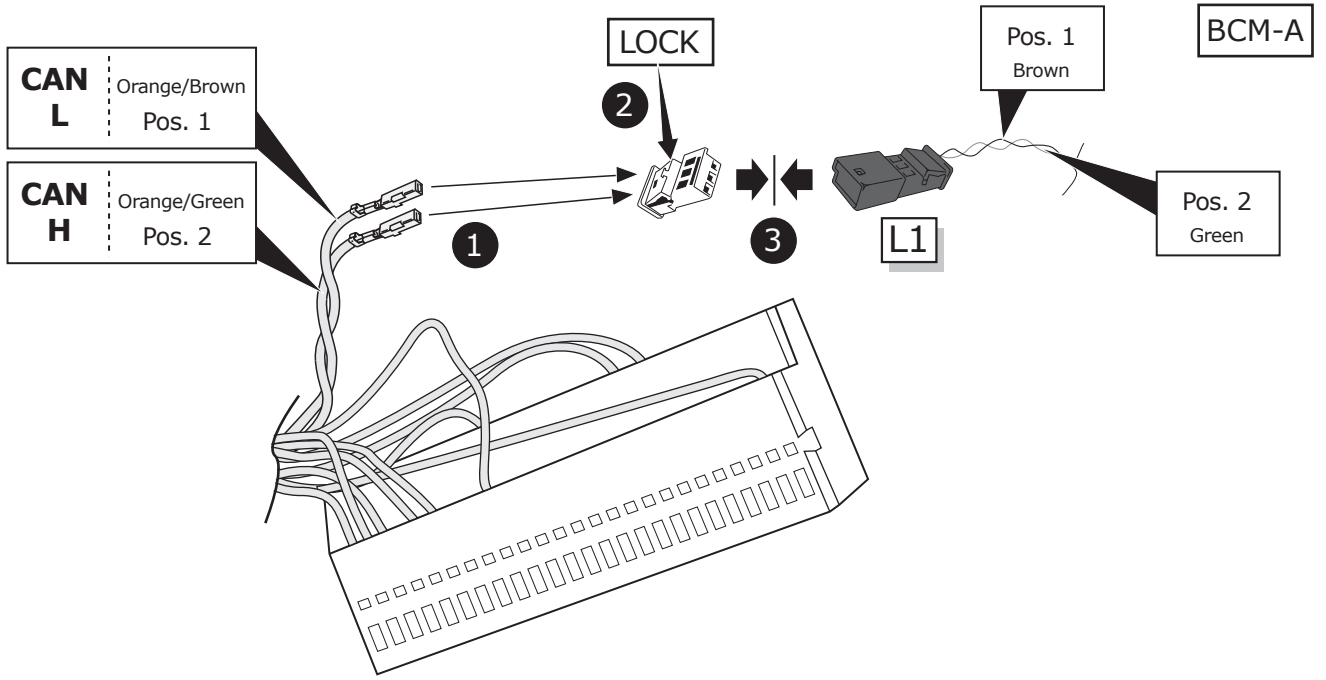
15



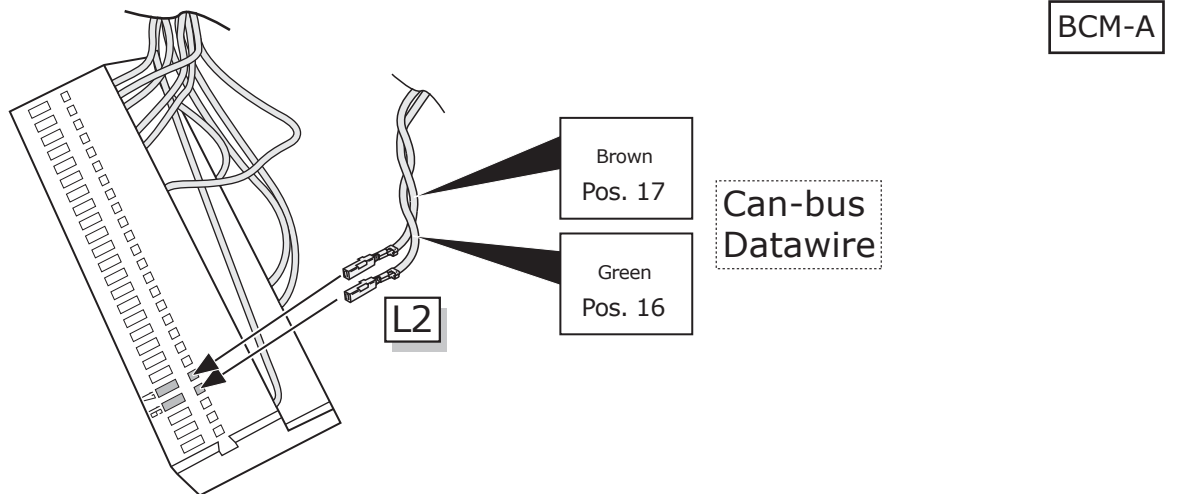
16



17

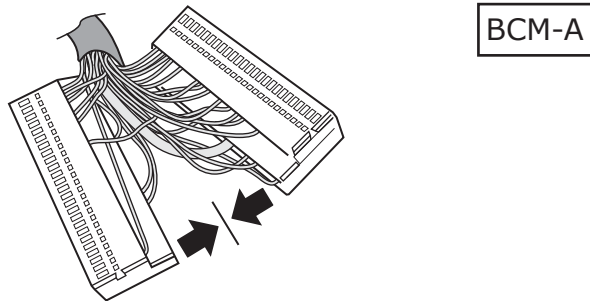


18

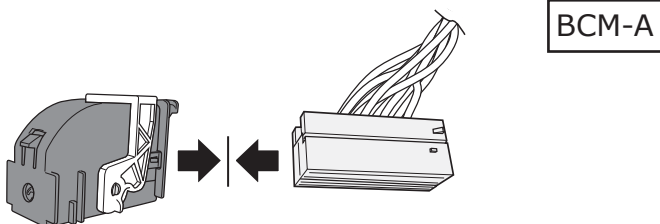


19

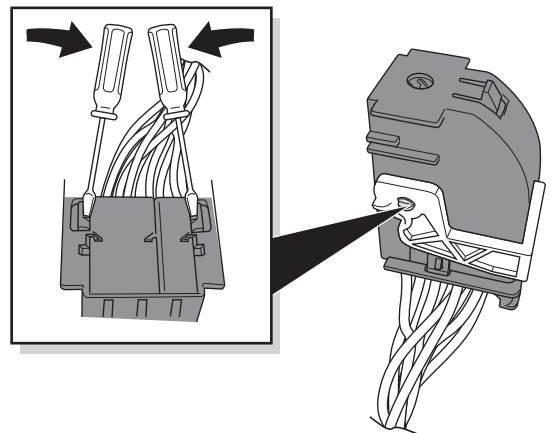
1



2



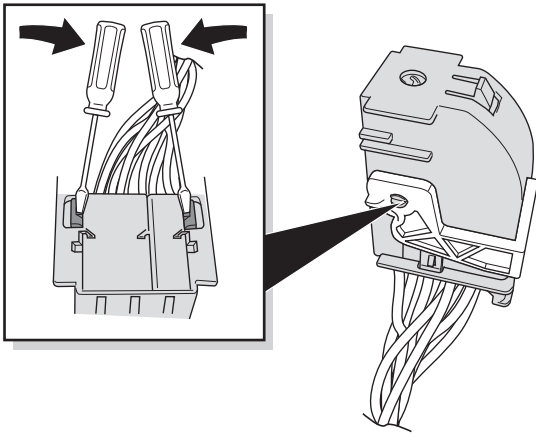
3



20

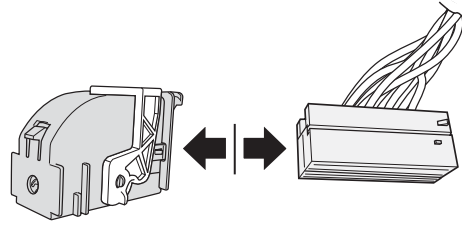
1

BCM-C



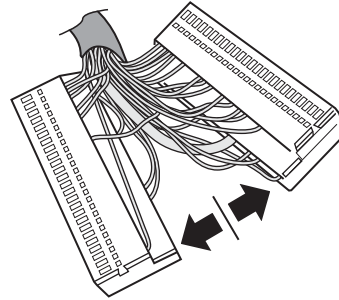
2

BCM-C



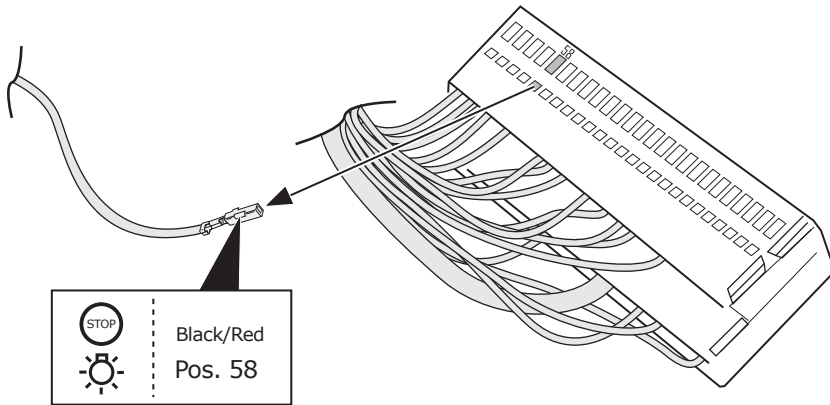
3

BCM-C



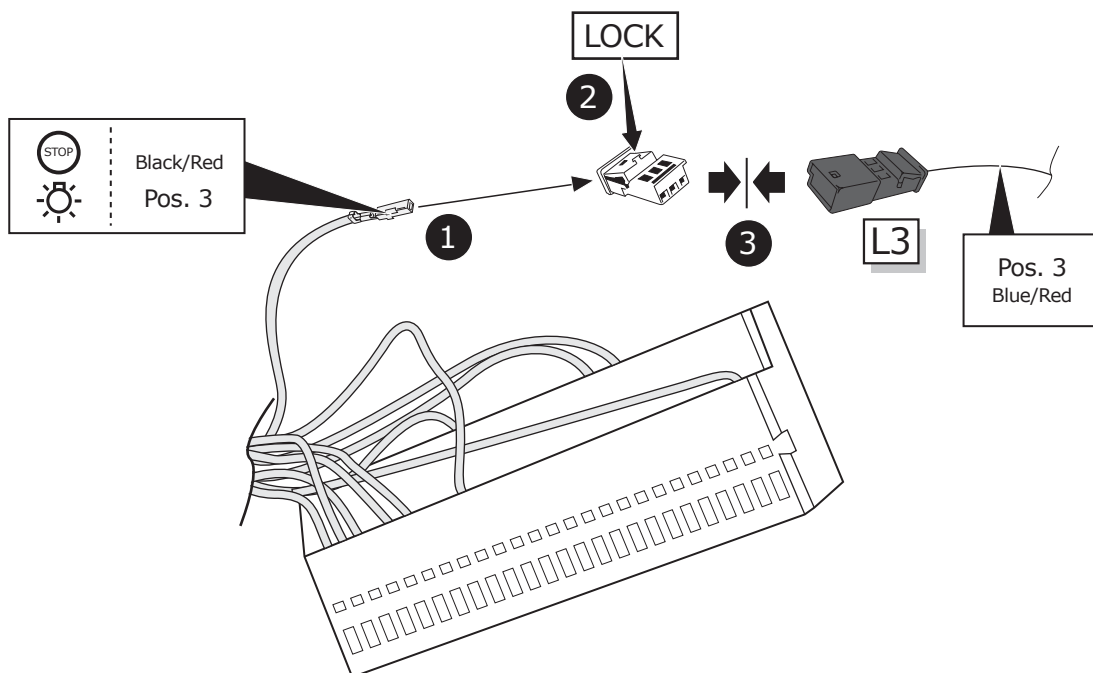
21

BCM-C



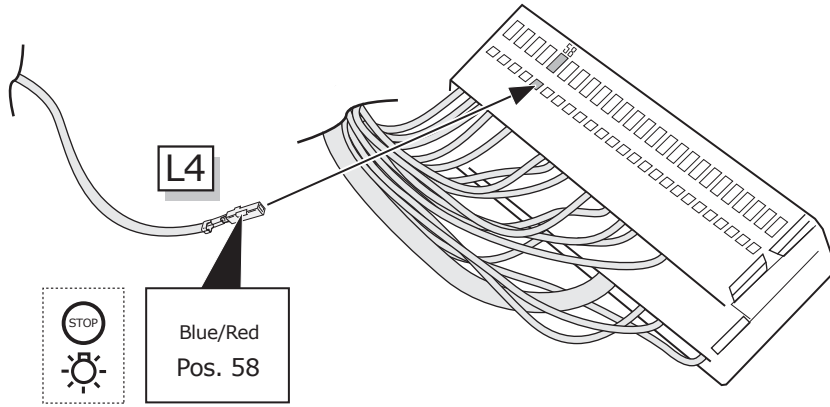
22

BCM-C



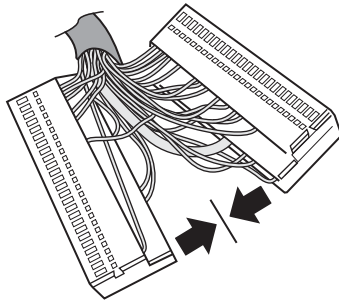
23

BCM-C

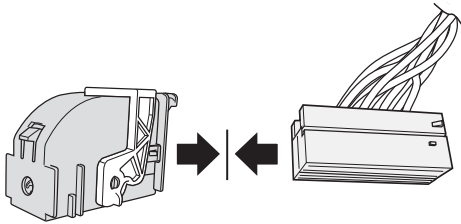


24

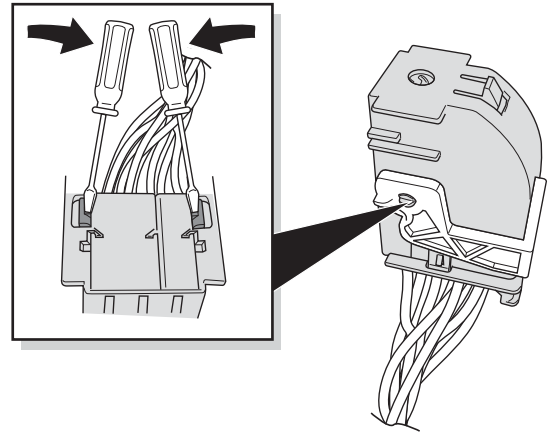
1



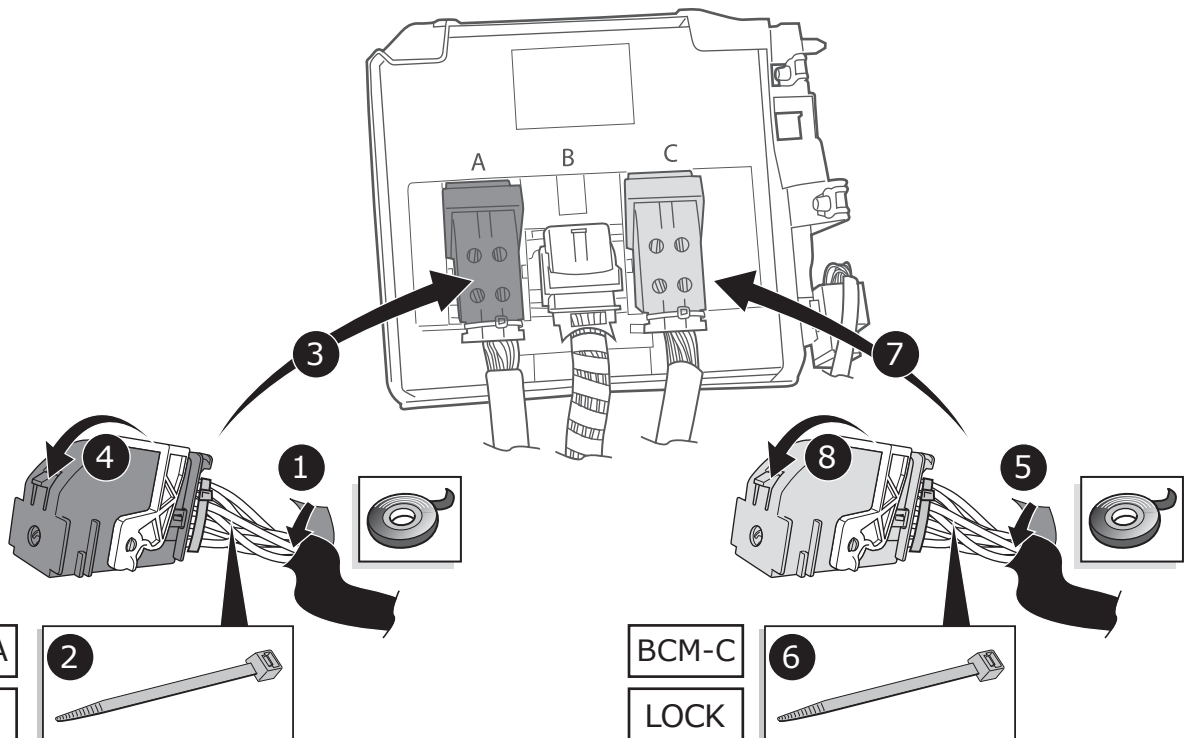
2



3

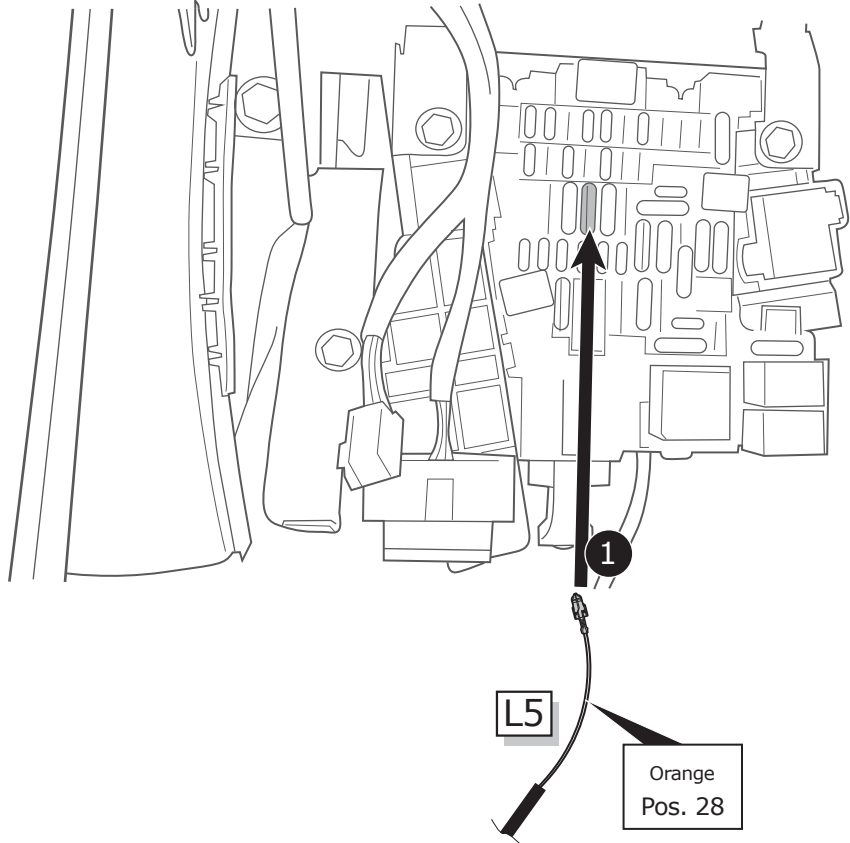
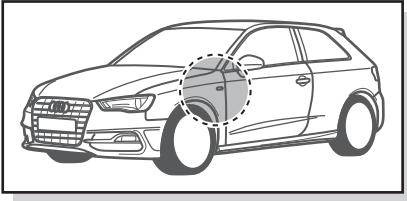


25

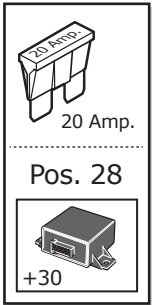


A3 3D -2014

26

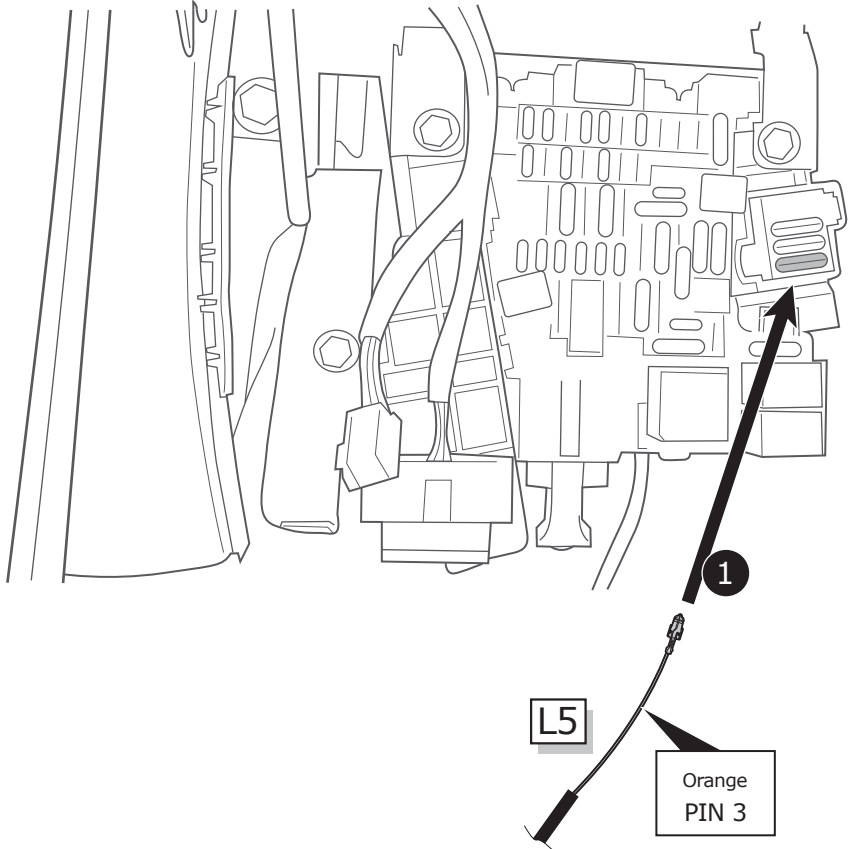
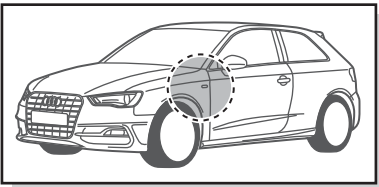


2

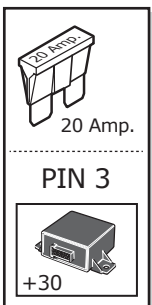


Audi A3 2014 -

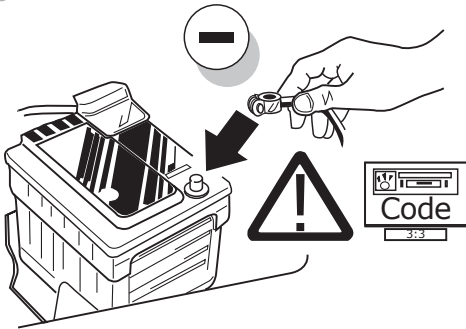
27



2



28



INFO

ONLINE CODING



INFO

Warning! It must be ensured that all the requirements of the vehicle manufacturer for changes to and retro-fitting on the vehicle and/or cooling system for the operation with a trailer are carried out. Subject to change.

29

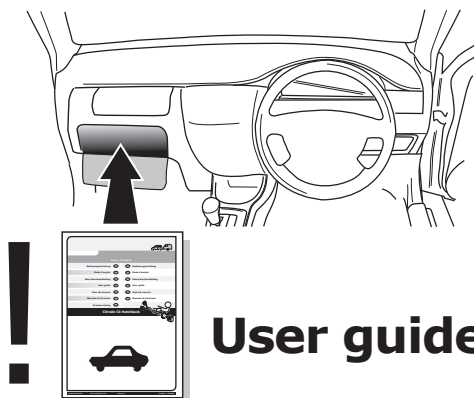


TEST ALL THE CIRCUITS WITH A TEST DEVICE WITH THE CORRECT POWER LOAD FOR EACH FUNCTION. A TEST DEVICE WITH LED'S CANNOT BE USED FOR THIS PURPOSE.

INFO

REINSTALL TRIM.

30



User guide

TECHNICAL SUPPORT

CALL 07440 202 052

ECS ELECTRONICS

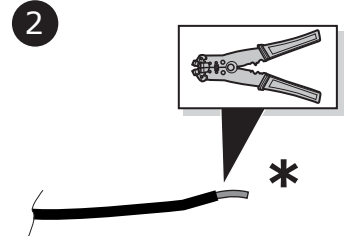
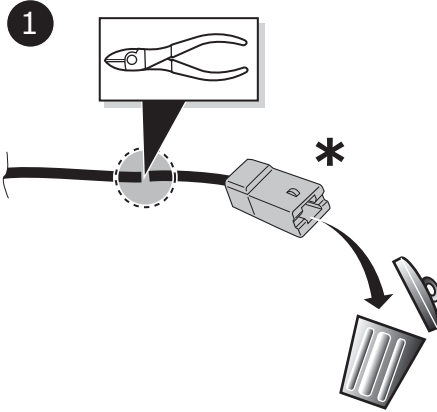
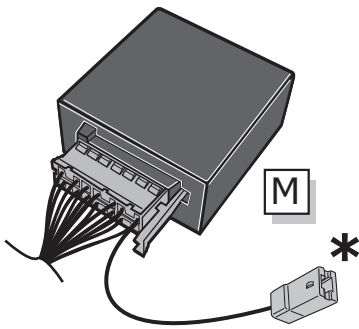
MONDAY TO FRIDAY
08.00 - 11.00 am
12.00 - 05.00 pm
ukts@ecs-electronics.com
www.ecs-electronicsuk.co.uk

SOCKET CONNECTION

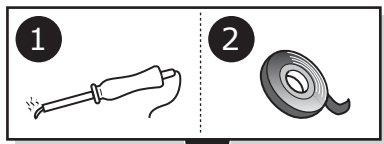
DIN/ISO 1724							
	1/L	2	3/31	4/R	5/58-R	6/54	7/58-L
Pmax	21W	21W		21W	42W	3x21W	42W
Colour	Black/ White	Blue	Brown	Black/ Green	Grey/ Red	Black/ Red	Grey/ Black

Reverse signal preparation

A



B



⚠ MAX = 21W

